

RF28 Series Reflective Encoders

Product Description

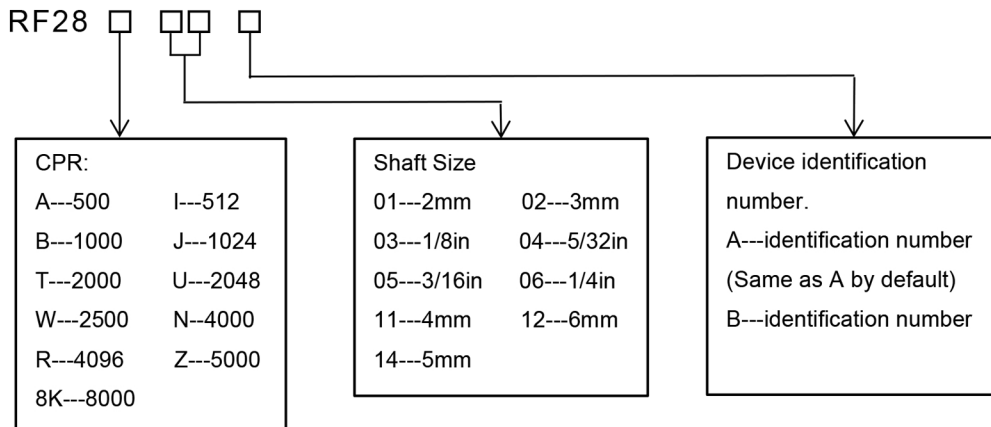
RF28 series reflective encoder with PCBA and integrated housing design, with code disc, can output three channels of differential signals ranging from 500~4096CPR.

Z signal can be selected from 90°, 180° and 360°, without special instructions, the standard product is 90°.

This product is suitable for small size DC motor, stepping motor and servo motor.



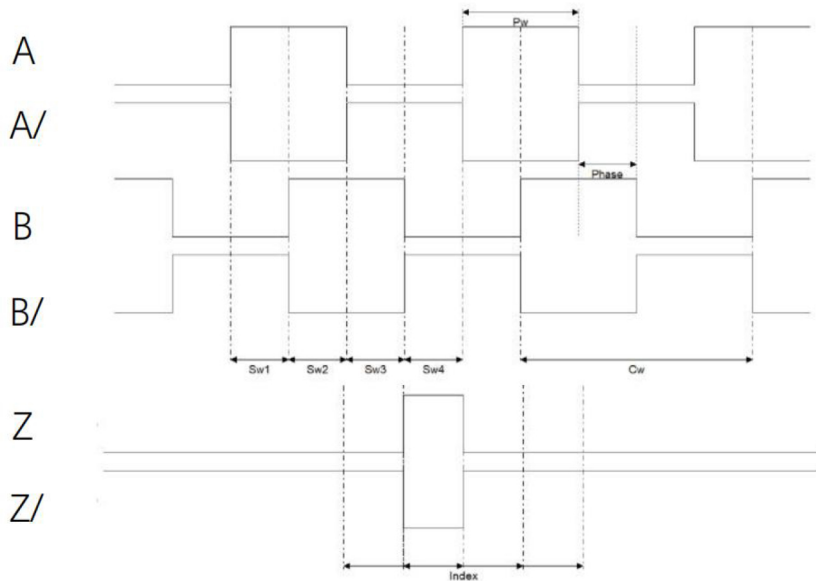
Product Model



Technical indicators

Supply voltage	3V-5V
Maximum speed	11000 RPM
Output Method	A、A/、B、B/、Z、Z/
Operating Temperature	-40 °C ~+85 °C

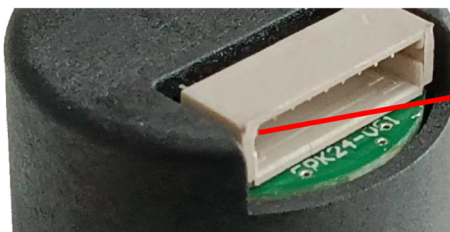
Waveform Diagram



Waveform When Rotating Counterclockwise, Viewed From the Encoder Toward the Motor Body

Pin Definition

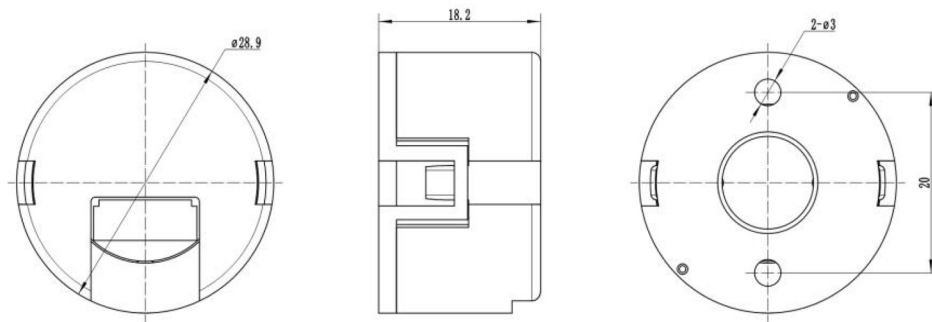
Line Number	1	2	3	4	5	6	7	8	9
Identification number A defines	Vcc	Gnd	A	A/	Z	Z/	N.C.	B	B/
Identification number B defines	Vcc	Gnd	A	A/	B	B/	Z	Z/	N.C.



Line number 1

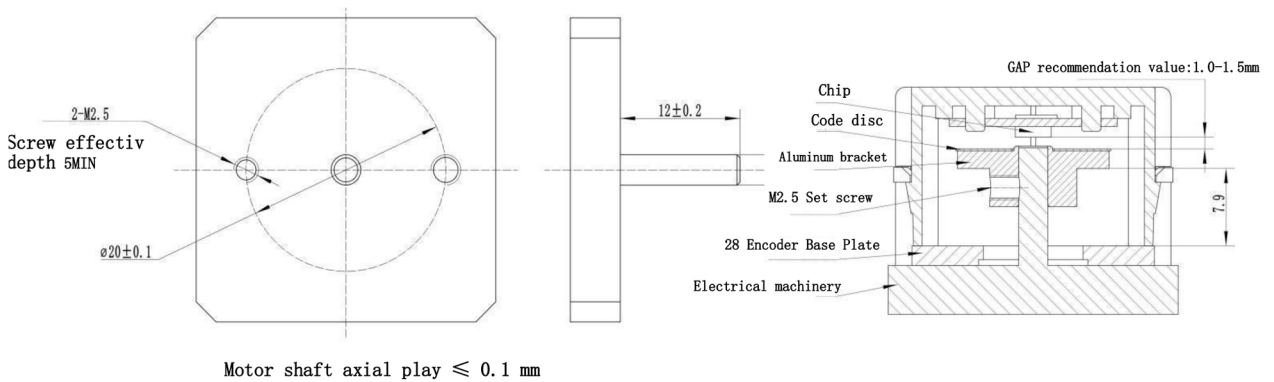
Plug Recommended
Model: SHR-09V-S

Mechanical Dimension Drawing

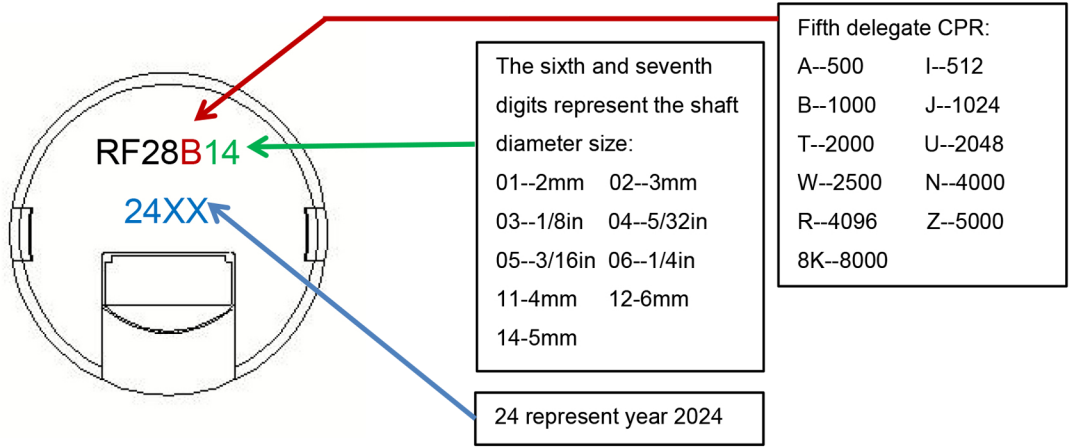


Unit: mm

Dimensions Of Motor End Face and outgoing shaft length



Model Print



RF28B14 24XX

- RF28**: Encoder model series
- B**: Shaft diameter size
- 14**: Shaft diameter size
- 24XX**: Year of release (2024)

The sixth and seventh digits represent the shaft diameter size:

01--2mm	02--3mm
03--1/8in	04--5/32in
05--3/16in	06--1/4in
11-4mm	12-6mm
14-5mm	

Fifth delegate CPR:

A--500	I--512
B--1000	J--1024
T--2000	U--2048
W--2500	N--4000
R--4096	Z--5000
8K--8000	

24 represent year 2024