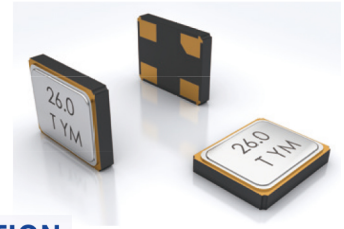


2.1 M3225

Metal Can Type Crystals M3225 Series



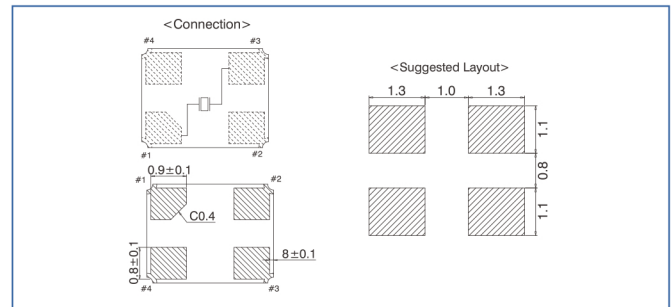
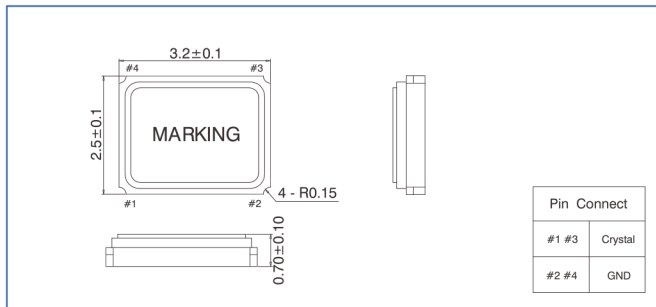
FEATURES

- Reflow resistance type crystal units
- Higher frequency pullability and lower equivalent series resistance
- Lower cost and highly mass production capability
- RoHS Compliant/Pb Free

TYPICAL APPLICATION

- The best choice of Notebook Computer
TV, STB, LCDM and Cable Modem

DIMENSIONS



ELECTRICAL SPECIFICATION

Item/Type	M3225
Frequency Range	8 ~ 54 MHz
Frequency Tolerance (at 25°C)	±10 ppm, or specify
Frequency Stability Over Operating Temperature Range	±10 ppm, or specify
Operating Temperature Range	-10 ~ +60°C, or specify
Shunt Capacitance (C ₀)	3pF Max.
Drive Level	100μW (typical)
Load Capacitance	Series, 6pF, 10pF, 12pF, 16pF, or specify
Aging (at 25°C)	±3 ppm/year Max.
Storage Temperature Range	-40 ~ +125°C

EQUIVALENT SERIES RESISTANCE(ESR)

Frequency	Resistance
8MHz ≤ F ₀ < 10MHz	300 Ω Max.
10MHz ≤ F ₀ < 15MHz	150 Ω Max.
15MHz ≤ F ₀ < 19.5MHz	80 Ω Max.
19.5MHz ≤ F ₀ < 27MHz	60 Ω Max.
27MHz ≤ F ₀ < 54MHz	50 Ω Max.

FREQ. STABILITY vs. TEMP. RANGE

Temp.(°C)	ppm		Temp.(°C)	ppm		
	±10	±15		±20	±30	±50
-10 ~ +60	○	○	-40 ~ +105	△	○	○
-20 ~ +70	○	○	-40 ~ +125	×	×	○
-40 ~ +85	×	△				

*○: Available △: Condition X: Not available

Note: not all combination of options are available. Other specifications may be available upon request.